

IMPORTANT

1. Always include complete heater model and serial number so that any specification change can be considered for parts shipment. It can save time and expense.
2. Specifications are subject to change without notice.
3. We reserve the right to substitute functional replacements.
4. Order by Part No.; not Heater Option Designation.

Applies to: Replacement Parts for Model Series RG, RP, HRPD, RGB, RPB, RGBL, RPBL, RPDBL, PGBL, RBA, RBHA, and RBL (including prefixes "C", "H", and "HC")

Index

B

- Bearing 22, 43
- Bearing Support 21
- Blower 20, 21
- Model RBL/RBA/RBHA Blower Cabinets 43, 44
- Burner Rack 16

C

- PGBL Furnace Cabinet 13
- RG Cabinet and Flue Box Parts 12
- RP Cabinet and Collection Box Parts 14
- Cabinet Connector & Filler Parts for Multiple Furnaces 12, 14
- Cabinet Parts for "BL" Type Blower Cabinet 20
- Cabinet Parts for "B" Type Blower Cabinet 19
- Certification 3
- Combustion Air Pressure Switch 6
- Packaged System Configurations 4
- Contactors 7, 9
- 2-Stage Controller 6
- Mixed Air Controller 23
- Cooling Coil Cabinet 40
- Roof Curbs 42

D

- Discharge Damper and Controls 42
- Damper Linkage 24, 25, 26
- Dampers and Controls 22
- DDC Control 11
- Disconnect Switch 39
- Door Latch Kit 19, 21, 44
- Downturn Plenum 42
- Drives - Model RBHA 36
- Drives - Model Series (H)(C)RGB, (H)(C)RPB, and Model RBA 31
- Drives - Model Series RGBL, RPBL, PGBL and RBL 34
- Ductstat 6, 8

E

- Electrical Component Locations 6
- Electrical Components 8

F

- Fan Control 6
- Dirty Filter Pressure Switch 6
- Filter Rack 21
- Filters 37
- Firestat 8
- Flue Collar Assembly 12
- Flue Collection Box 12, 13, 14
- Freezestat 8
- Freezestat, Auto Reset 6
- Fuse 7, 9

G

- Gas Pressure Switch 6
- Gas Valve - See Form P-VALVES
- Gear Motor Kit 15

H

- Heat Exchanger 16
- Outside Air Inlet Hood 40

I

- Ignition Controller 6, 8
- Interface Module 23

L

- Limit 10
- Reverse Flow Limit 10
- Limit Control 6, 9
- Line Voltage 5

M

- Manifold 16
- Special Manifolds 18
- Blower Motor 27, 28, 30
- Gear Motor AG39,40,41,42 15
- Motor Adjustment Bracket 20, 43
- Motor Mounting Bolts 22, 43
- Motor Mounting Plate 20, 43

O

- Orifice 17
- Convenience Outlet 7, 9
- Overload 27, 29

P

- Replacement Parts Tag 2
- Pilot 11
- Potentiometer 7, 10, 23

R

- Rating Plate 2
- References 1
- Carryover Regulator 17
- Relay 10
- Time Delay Relay 6, 9
- Relay Chart 5
- Remote Console 39

S

- Sensor 8
- Serial Number 3
- Heat Shields 9
- Holding Coils for IEC Starters 30
- Starters 7, 27, 28, 30
- Air Proving Switch 7
- Auxiliary End Switch 23
- Blower Air Flow Switch 10
- Combustion Air Switch 8
- Gas Pressure Switch 9
- Pressure Null Switch 23
- Pressure Switch 9
- Toggle Switch 11

T

- Temperature Control 9
- Temperature Controller 7
- Terminal Blocks 7
- Thermostats 39
- Transformer 5, 10

V

- Manual Gas Valves 17
- Variable Frequency Drives 27
- Vertical Vent Kit 14
- Vent Cap 12
- Vent Cap Extension 13
- Venter Motor 13, 15
- Vent Limiter 9

Z

- "Z" Baffle 13

Duct Furnace Models



Packaged Models



Blower Cabinets

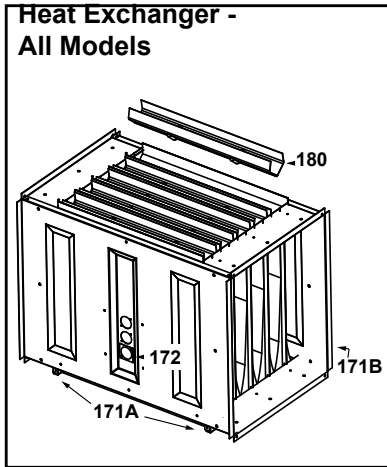


* Model is no longer being manufactured.

See your Factory Distributor for Forms listed below

Subject.....	Form
Installation/Operation - Model Series RPBL Packaged Systems	I-SSCBL/RPBL
Installation/Operation - Model Series RP and HRPD Duct Furnaces.....	I-RP/HRPD
Installation/Operation - Model Series RPB Packaged Systems	I-RPB
Installation - Model RBL Blower Cabinet.....	I-RBL
Limited Warranty	W
Replacement Components for Optional Evaporative Cooling Modules.....	P-REC
Replacement Gas Valves, Ignition Controllers, & Maxitrol Components for Modulation Gas Controls (Options AG 7, 8, 9, 21, 39, 40, 41, & 42).....	P-VALVES
Converting to Other Gases.....	CP-GC

Heat Exchanger & Components - Applies to all Models (one heat exchanger per furnace section; directional baffles apply as listed)



Code	Description	Model (C)(H)(HC)RG/RP(B) Sizes							Qty per furnace section	
		Model RPBL, RGBL, PGBL Sizes			Model RPDBL Sizes					
		Model HRPD Sizes								
		75/100	125	150/175	200/225	250/300	350	400		
170	Heat Exchanger	Aluminized Steel	44301	44304	44307	44310	44313	44316	44319	1
		409 Stainless Steel	44302	44305	44308	44311	44314	44317	44320	1
171A	Burner Rack Slide Rail		9897	9857	9819	9781	9745	9709	9517	2
171A	Burner Rack Back Brace		9525							1
172	Gasket for Fan Control, Limit Control, Patch Plate		17083							2
173	Patch Plate (not illustrated)		9814							1
			55101							
174	Support Bracket RG, CRG, RP, CRP & "B" Models		(2)	(2)	(2)	(2)	(4)	(4)	(4)	>
			45399							
175	Finger Baffle RG, CRG, RP, CRP & "B" Models		(3)	(4)	(6)	(8)	(11)	(13)	(15)	>
176	Btm Baffle Sprrt RG, CRG, RP, CRP & "B" Models		46478	46484	46489	46494	46499	46504	46509	1
177	Rear Top Baffle Support		55103	55104	55106	55108	55110	55112	55114	1
178	Rear Top Baffle		55116	55117	55119	55121	55123	55125	55127	1
179	Side Finger Baffle RG, CRG, RP, CRP & "B" Models		55128							2
			85727 ("V" Baffle)							
180	Heat Exchanger Tube Baffles	Series 8 - All Models; Prior to Series 8 - "C" Models Only	(4)	(5)	(7)	(9)	(12)	(14)	(16)	>
181	High CFM Conversion Kit (RP duct furnace only)		263308 (to convert Model RP to allow for higher CFM)							1

Heat Exchanger Directional Air Baffles

1) Models RG, CRG, RGB, CRGB, RP, CRP, RPB, CRPB are equipped with a heat exchanger directional air baffle assembly as illustrated below (right).

NOTE: Beginning 1/2012, RPB units are built with or without these heat exchanger baffles depending on the CFM on the original order. When replacing a heat exchanger, check to see if the baffle assembly can be salvaged. If

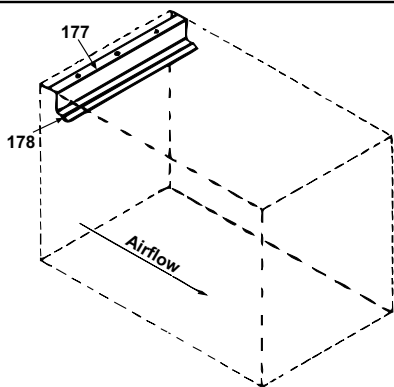
the baffle assembly cannot be salvaged, it will be necessary to order the parts (Codes 174-179) in the quantities listed and assemble and install replacement baffles.

2) Models HRG, HCRG, HRP, HCRP, HRGB, HCRGB, HRPB, HCRPB, and the discharge furnace only on Models HRPD, RGBL, CRGBL, RPBL, and CRPBL are equipped with only a rear top baffle support (Code 177) and a rear top baffle (Code 179). If these

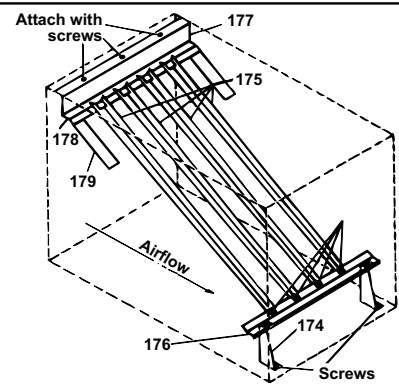
parts cannot be salvaged, order and install replacements. These parts are not installed in the replacement heat exchanger at the factory. They must be ordered separately and installed in the field.

NOTE: See page 3 for no-longer-manufactured models. Effective 9/11, HRP is no longer available but a high CFM conversion kit is available for Model RP units; see Code 181 above.

Heat Exchanger Baffle in an "H" Model and "BL" Discharge Furnace only

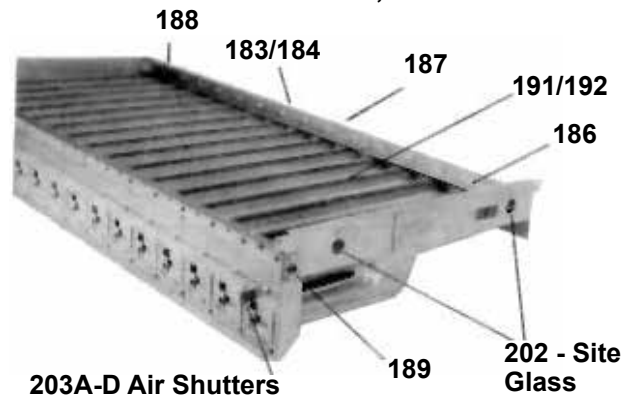


Heat Exchanger Baffles - apply to Models listed in 1) above

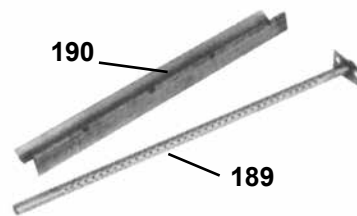


Burner Rack and Components - all Models as listed in the Table (one per furnace section)

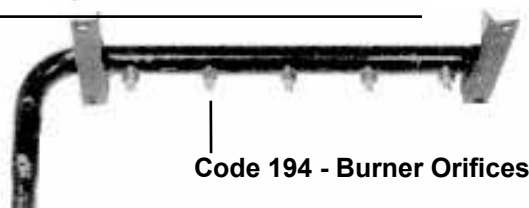
Codes 183/184 - Burner Rack, All Models



Carryover Tube and Drip Shield



Code 193 - Manifold



Main Burner Orifice - Drill Size to P/N

Size	41	42	43	44	45	55	1.20mm	1.45mm	1.50mm
P/N	11792	84437	11828	11833	38678	11830	63003	61652	93410

Carryover Orifice - Drill Size to P/N

Size	70	65	59	57	56	54
P/N	9870	9680	10370	38274	9791	9792

Code	Description	Model (C)(H)(HC)RG/RP(B) Sizes												
		75	100	125	150	175	200	225	250	300	350	400		
		Model RPBL, RGBL, PGBL Sizes						500	600	700, 1050	400, 800, 1200			
		Model RPDBL Sizes						1000	1200	1400	800 / 1600			
		Model HRPD Sizes			250	300	350	400	500	600	700	800		
183	Burner Rack Aluminum with Carryovers & Air Shutters	65972	65973	65974	65975	65976	65977	65978						
	Burner Rack Stainless Steel with Carryovers & Air Shutters	65980	65981	65982	65983	65984	65985	65986						
184	Replacement Burner Rack Stainless Steel with Carryovers for RP units with Gas Control Option AG 39, 40, 41 and 42	--	--	92813	92814	92814	92815	92815	92816	92816	--	92818		
185	Flash Carryover (one piece)	63128	63131	63138	--	--	--	--	--	--	--	--		
186	Flash Carryover Right Section	--	--	--	--	--	63148	63141	63148	63152				
187	Flash Carryover Center Section	--	--	--	--	--	--	63156	68071					
188	Flash Carryover Left Section	--	--	--	--	--	63144							
189	Carryover Lighter Tube (Tube only)	9899	9859	9821	9783	9747	9711	9520						
190	Carryover Lighter Tube Drip Shield	15015	15014	15013	15012	15011	15010	14957						
191	Main Burner Tube - Aluminized	85218												
	Qty per burner assembly	(4)	(4)	(5)	(7)	(7)	(9)	(9)	(12)	(12)	(14)	(16)		
192	Main Burner Tube - Stainless Steel	87954												
	Qty per burner assembly	(4)	(4)	(5)	(7)	(7)	(9)	(9)	(12)	(12)	(14)	(16)		
193	Manifold (less orifices)	86338	86339	86340	86342	86343	86344	86345						
194	Burner Orifice Size - See Table bottom of page 16 for P/N's.	(H)RG; PGBL Natural Gas	All Series	45	41	41	43	41	43	41	44	41	41	41
		(H)CRG Natural Gas	All Series	45	43	43	--	43	--	43	45	43	43	43
		(H)RP Natural Gas	Prior to Series 8	--	--	42	44	42	43	42	44	42	42	42
			Series 8	--	--	42	44	42	43	42	44	42	42	42
		(H)CRP Natural Gas	Prior to Series 8	--	--	43	--	43	--	--	45	43	--	43
		(H)RG; PGBL Propane	All Series	1.20mm	1.45mm	1.45mm	55	1.45mm	55	1.45mm	55	1.45mm	1.45mm	1.45mm
		(H)CRG Propane	All Series	1.20mm	55	55	--	55	55	55	1.20mm	55	55	55
			Prior to Series 8	--	--	1.45mm	55	1.45mm	55	1.45mm	55	1.45mm	1.45mm	1.45mm
(H)RP Propane	Prior to Series 8	--	--	1.45mm	55	1.45mm	55	1.45mm	55	1.45mm	1.45mm	1.45mm		
	Series 8	--	--	1.45mm	55	1.45mm	55	1.45mm	55	1.45mm	1.45mm	1.45mm		
(H)CRP Propane	Prior to Series 8	--	--	55	--	55	--	--	1.20mm	55	--	55		
195	Carryover Orifice Size - See Table bottom of page 16 for P/N's.	(H)RG Natural Gas	All Series	70	70	70	65	65	59	59	59	59	54	54
		(H)CRG Natural Gas	All Series	70	70	70	--	65	--	59	59	59	54	54
		(H)RP Natural Gas	Prior to Series 8	--	--	70	65	65	65	65	59	59	57	56
			Series 8	--	--	70	65	65	65	65	59	59	57	56
		(H)RP Natural Gas with AG 39, 40, 41, or 42	--	--	70	65	65	65	65	59	59	--	56	
		(H)CRP Natural Gas	Prior to Series 8	--	--	70	--	65	--	--	59	59	--	56
		(H)RG Propane	All Series	70	70	70	65	65	65	65	59	59	56	56
		(H)CRG Propane	All Series	70	70	70	--	65	--	65	59	59	56	56
		(H)RP Propane	Prior to Series 8	--	--	70	65	65	65	65	59	59	57	56
			Series 8	--	--	70	65	65	65	65	59	59	57	56
(H)CRP Propane	Prior to Series 8	--	--	70	--	65	--	--	59	59	--	56		

Burner Rack and Components (cont'd) - (one per furnace section)

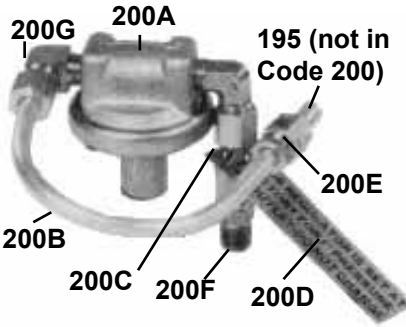
Manual Gas Valves
Reference: For electric valves, see Form P-VALVES


Pilot Shutoff Valve, P/N 3284



Ball Valve Adapter 1", P/N 110758; 1-1/4", P/N 110759; 1/2", P/N 120373; 3/4", P/N 120169



125 PSIG Gas Valve 1", P/N 159725; 1-1/4", P/N 159729


Aluminum Shutoff Valves 1/2", P/N 196910, with Union, P/N 15971; 3/4", P/N 196911, with Union, P/N 15972


Code 200 - Carryover Regulator Assembly for Propane


Carryover Tubing - Natural Gas


Burner Air Shutter Hardware 203B


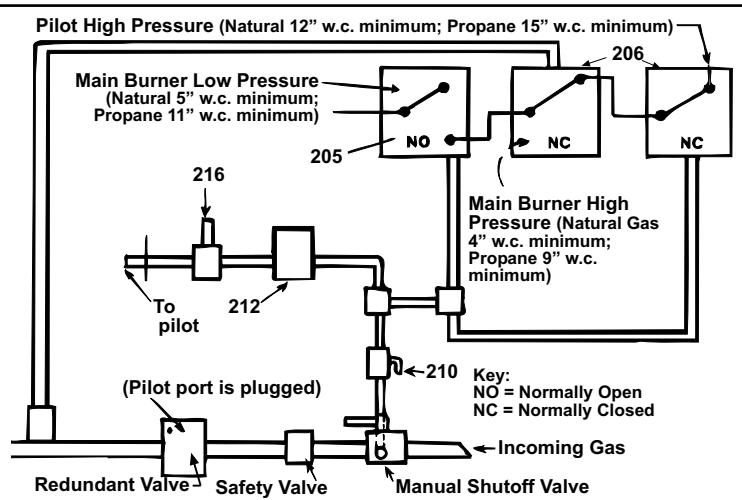
Code 204 - Carryover Regulator for Furnace Sections with Electronic Modulation Opt AG39, AG40, AG41, or AG42

See Code 11, pg 9, for location.

Code	Description	P/N
200	Carryover Regulator Assembly (includes Codes 200A-G)	100712
200A	Carryover Regulator, Maxitrol RV-12, Propane Gas	11294
	Carryover Regulator, Natural Gas w/Opt AG 39, 40, 41, 42	11294
200B	Carryover Regulator	1/4x5-1/2" 9681
200C	Tubing	1/4x1-1/4" 11892
200D	Carryover Regulator Tag	11935
200E	Carryover Regulator Fitting (Compression Fitting)	9664
200F	Carryover Regulator Fitting, Regulator to Manifold	1436

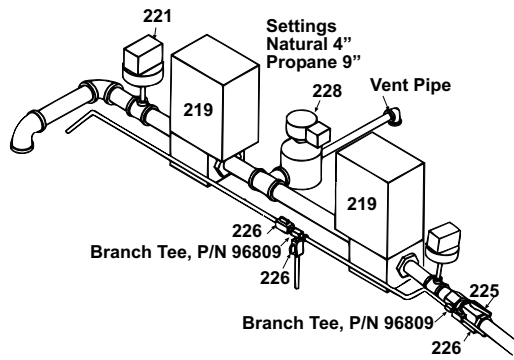
Code	Description	P/N
200G	(2) Carryover Regulator Fitting, 90° Brass Elbow	18224
201A	Carryover Tubing, Natural Gas	93389
201B	Brass Elbow	93388
201C	Compression Fitting	9664
202	(2) Burner Rack Isinglass	10756
203A	Air Shutter Adjustment Screw, 1/4-20 x 2-1/2" long	10653
203B	(2) Air Shutter Screw Nut, 1/4" -20	10650
203C	Air Shutter Slide Tinnerman Nut, 1/4"-20 (not illustrated)	10651
203D	Air Shutter Adjustment Instruction Tag	11934
204	Carryover Regulator, Natural Gas w/Opt AG 39, 40, 41, 42	11294

Special Manifolds

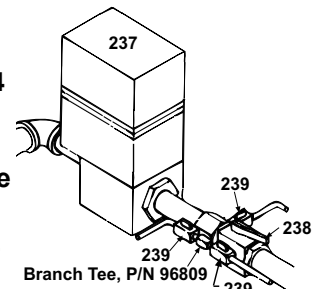
Code	Description	P/N
Components for Illinois School Code Manifold (Option BM12 is no longer required but was available on all sizes of RG, RP, RGB, RPBL, RGB, RPBL, and PGBL)		
205	Low Gas Pressure Switch, see page 9, Code 8 or 9	
206	High Gas Pressure Switch, see page 9, Code 10	
207	Vent Limiter, Maxitrol A1209, see page 9	
208	Pressure Switch Brackets	(3-7)100261
209	Manual Gas Valve (one per unit), page 17	
210	Manual Pilot Shutoff (one per unit), page 17	
211	Safety Solenoid Valve (one per unit)	88242
212	Pilot Valve (one per unit)	25787
213	Pilot Valve Bracket	100262
214	Relay SPDT - Order Replacement Kit, P/N 263527	
215	Relay SPST - Order Replacement Kit, P/N 263527	
216	Pilot Regulator, Maxitrol 400S	86965
217	Switch Push Button (Alarm Silencing)	110130
218	Alarm Bell (Adaptable Edwards #340-465, 24V)	110131



Codes 219-236 - IRI, Option BM13 (applies to Model RPBL 1050 and 1200 and Model PGBL 1200) - Not manufactured after 9/2003.



Codes 237-249 - FM, Option BM14 is no longer required but was available on Model Series RPBL and PGBL)



Code	Description	P/N
Components for FM Manifold (Option BM14 is available on Model RPBL and (C)RGLB 500-1200, and PGBL 1200)		
237	Fluid Power Valve	89356
	Fluid Power Valve Actuator	86993
238	Manual Shutoff and Ball Valve Adapter, page 17	
239	Pilot Manual Shutoff (one per unit), page 17	
240	Pilot Valve (one per furnace)	25787
241	Pilot Valve Bracket	100262
242	Pilot Regulator	86965
243	Transformer 230/460/575 to 115V, 300VA	105202
	Transformer 208 to 115V, 250VA	86991
244	Valve Box Top	110211
245	Valve Box Inlet Side	110195
246	Valve Box Plain Side	110196
247	Valve Box Back	110212
248	Top Door	110213
249	Bottom Door	110214

Code	Description	P/N	Code	Description	P/N
Components for IRI Manifold (Option BM13 is available on Model PGBL 1200 and RPBL 1050 and 1200) - not mfgd after 9/2003					
219	Fluid Power Valve	(2)89356	229	Transformer 230/460 to 115V, .5KVA	86997
	Fluid Power Valve Actuator	(2)86993		Transformer 208 to 115V, .5KVA	86998
220	Low Gas Pressure Switch, pg 9, Code 8 or 9			Transformer 208 to 115V, 250VA	86991
221	High Gas Pressure Switch, pg 9, Code 10			Transformer 230/460/575 to 115V, 300VA	105202
222	Vent Limiter, Maxitrol A1209, pg 9 (2)123481		230	Pilot Regulator	(3)86965
223	Vent Solenoid Valve	86996	231	Valve Box Top	110194
224	Pilot Valve (one per unit)	25787	232	Valve Box Inlet Side	110195
225	Manual Shutoff & Ball Valve Adapter, pg 17		233	Valve Box Plain Side	110196
226	Pilot Manual Shutoff (1 per unit), page 17		234	Valve Box Back	110197
227	RBM Relay - Order Replacement Kit, P/N 263527.		235	Top Door	110198
228	Pilot Valve Bracket	(2)100262	236	Bottom Door	110199

Code 223 - Vent Valve, G/C #S262, P/N 86996



Codes 211, 212, 224, 240 - Solenoid Valve



1/4", P/N 25787
3/4", P/N 88242
1", P/N 112922

Codes 219 and 237



Valve only (used with actuator on the right)

Size	Gas	P/N	M/H
1"	N or P	86992	V5055A1004
1-1/4"	N or P	89356	V5055A1012
2"	N or P	91079	V5055A1038

P/N 86993 Actuator (M/H V4055A1007)



Code 216, 247 - Pilot Regulator, Maxitrol R400S, P/N 86965



Springs for R400S Pilot Regulator

Maxitrol #	Color	Pressure Range	Approx Length.
R400B10-13	Brown	1.0 to 3.5" w.c.	1-9/16 to 2"
R400B10-25	Cadmium Plate	2.0 to 5.0" w.c.	1-9/16 to 2"
R400B10-36	Cadmium Plate	3.0 to 6.0" w.c.	1-9/16 to 2"
R400B10-38	Pink	3.0 to 8.0" w.c.	1-9/16 to 2"

Code 213, 229, 241 - Pilot Valve Bracket in Options BM12, BM13, BM14

P/N 100262



Illinois School Code Remote Console with Alarm Bell and Silencing Buttons
Console Box, P/N 107010
Light, P/N 101889

